

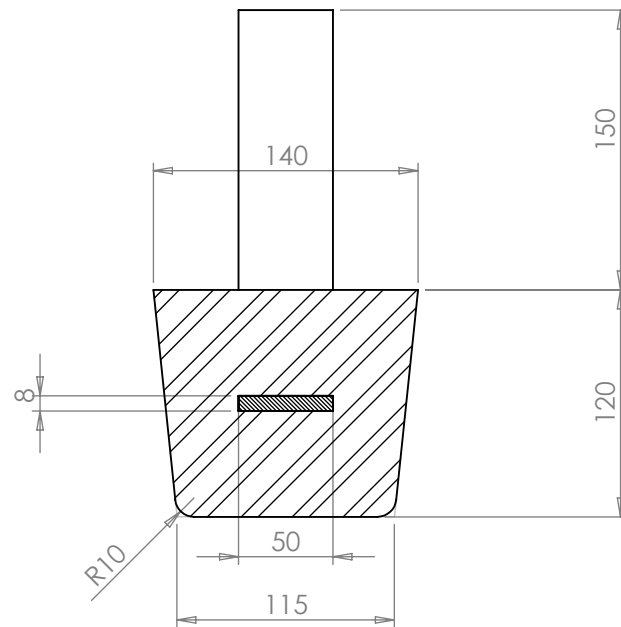
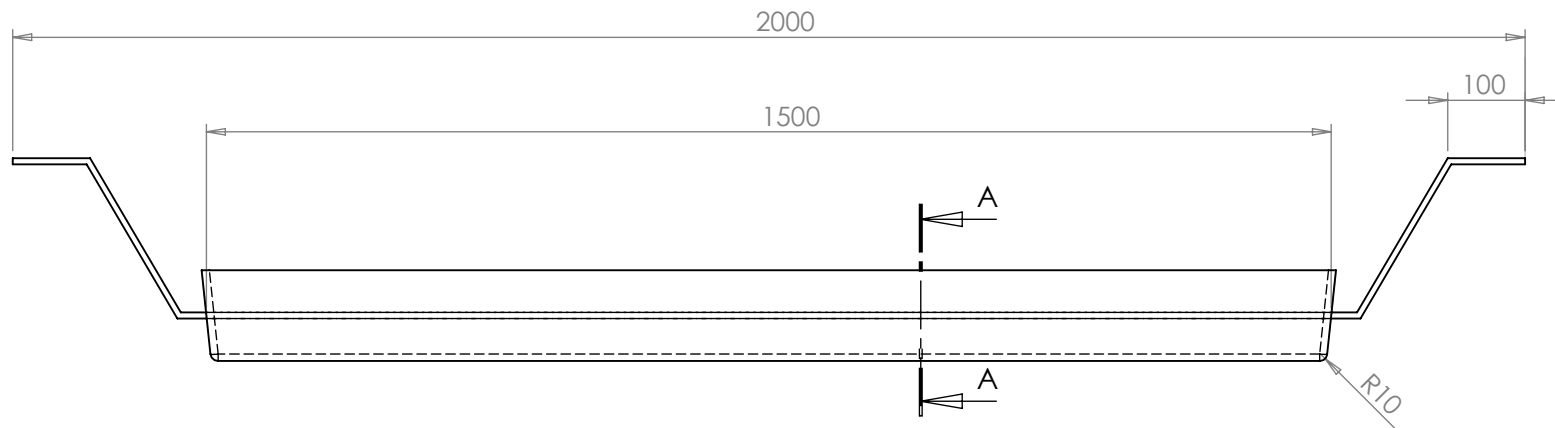
NOTES:

1. Net Weight: 60.00 Kg
2. Gross Weight: 67.00 Kg
3. Insert Weight: 7.00 Kg

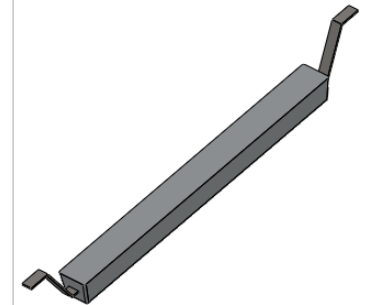
4. Insert quality:
Plate, bar sections: EN10025
grade S235 or S275

5. Insert Welding
All fabrication of steel
insert are according EN 10287
and EN 10288

6. All dimensions are in mm



SECTION A-A
SCALE 1 : 4



No	DATE	REVISION	REV/CHK	APPR
----	------	----------	---------	------

ANOTEC bvba
Brusselsestraat 49
1750 Lennik , Belgium

DRAWING NAME:

ANODE GENERAL DESCRIPTION

ANODE TYPE:

ASOF600

anotec

SACRIFICIAL ANODES

DESIGNED	P. P.	BELONGS	E. P. E.
STUDIED		PAGE	1/1
APPROVED		SCALE	1:7
DRAWING NUMBER	DATE	15-03-2016	
	CODE		