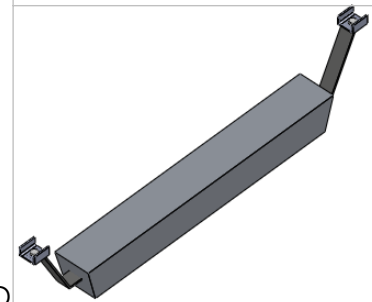


SECTION A-A
SCALE 1 : 5

- NOTES:**
1. Net Weight: 178.00 Kg
 2. Gross Weight: 191.00Kg
 3. Insert Weight: 13.00 Kg
 4. Insert quality:
Plate, bar sections: EN10025 grade S235 or S275
 5. Insert Welding
All fabrication of steel insert are according EN 10287 and EN 10288
 6. Insert surface preparation
For aluminium anodes minimum quality ISO 8501-1 SA2 1/2
 7. All dimensions are in mm



No	DATE	REVISION	REV/CHK	APPR

ANOTEC bvba
Brusselsestraat 49
1750 Lennik , Belgium

DRAWING NAME:
ANODE GENERAL DESCRIPTION

ANODE TYPE:
ASOF1780



DESIGNED	P.P	BELONGS	E. P. E.
STUDIED		PAGE	1/1
APPROVED		SCALE	1:14
DRAWING NUMBER	DATE	20-05-2015	
	CODE		