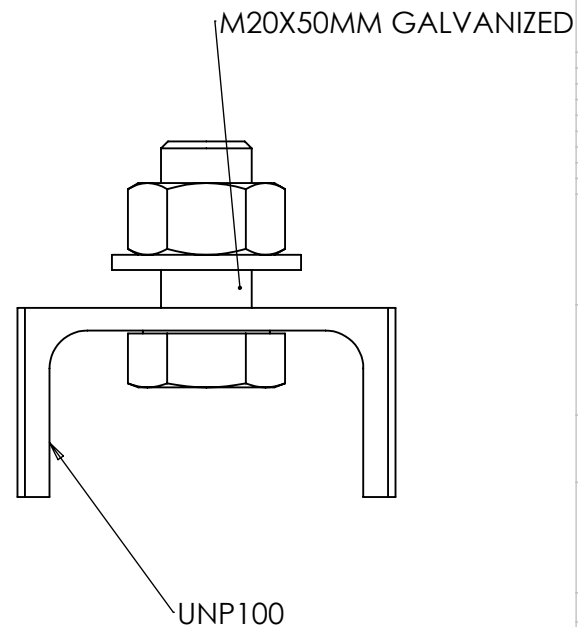
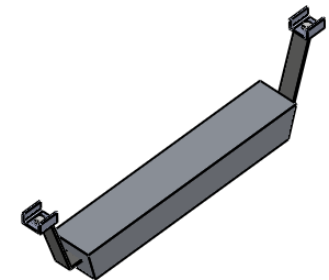


SECTION A-A
SCALE 1 : 5



NOTES:

1. Net Weight: 100.00 Kg
2. Gross Weight: 109.40 Kg
3. Insert Weight: 9.40 Kg
4. Insert quality:
Plate, bar sections: EN10025
grade S235 or S275
5. Insert Welding
All fabrication of steel
insert are according EN 10287
and EN 10288
6. Insert surface preparation
For aluminium anodes
minimum quality
ISO 8501-1 SA2 1/2
7. All dimensions are in mm



| No | DATE | REVISION | REV/CHK | APPR |
|----|------|----------|---------|------|
| | | | | |
| | | | | |
| | | | | |

ANOTEC bvba
Brusselsestraat 49
1750 Lennik , Belgium

DRAWING NAME:

ANODE GENERAL DESCRIPTION

ANODE TYPE:

ASOF1094

anotec
SACRIFICIAL ANODES

| DESIGNED | P.P | BELONGS | E. P. E. |
|----------------|------|------------|----------|
| | | PAGE | 1/1 |
| | | SCALE | 1:14 |
| DRAWING NUMBER | DATE | 20-05-2015 | |
| | | CODE | |